

MONTHS WARRANTY
24
MONTHS WARRANTY

4.18



MAGNI
TELESCOPIC HANDLERS

MAIN SECTORS



INDUSTRY

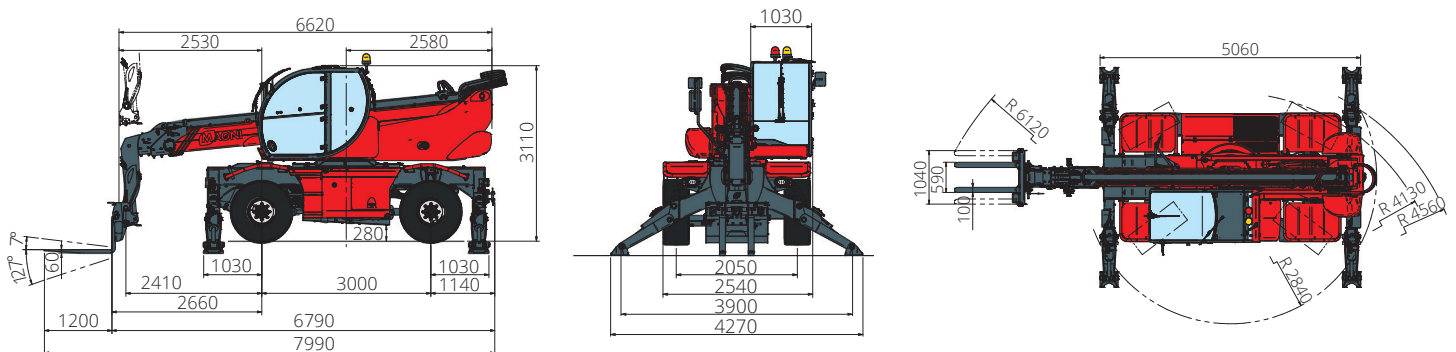


CONSTRUCTION

Maximum lifting height: 17.56 m
Maximum reach: 14.25 m
Electronically controlled hydrostatic transmission
Automatic levelling device
Pivoting stabilizers

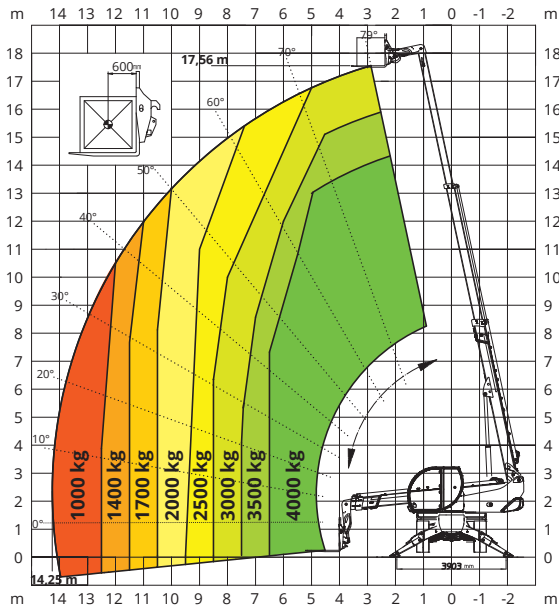
MACHINE MODEL	Rotary telescopic handler	RTH 4.18		
	Maximum lifting capacity	4,000 kg (centre of gravity 500 mm)		
	Maximum lifting height	17.56 m		
	Rotation	400° (limited)		
ENGINE	Type	Deutz TCD 3,6 L4 Stage V	Deutz TCD 3,6 L4 Stage IV	Deutz TCD 3,6 L4 EDG Stage IIIA
	Rated Power	55 kW (75 hp) @ 2,200 rpm		
	Maximum torque	405 Nm @ 1,300 rpm	390 Nm @ 1,300 rpm	
	Displacement	3.6 l		
	Cylinders	4 in line		
	Engine configuration	Turbocharged direct injection diesel		
	Cooling System	Water - intercooler		
TRANSMISSION	Type	Hydrostatic		
	Model	Rexroth		
	Maximum pressure	440 bar		
	Displacement	Hydraulic transmission with variable displacement		
	Gearbox	Dropbox, 2 speeds forward-reverse		
AXLES AND BRAKES	Type	Axles with planetary gearboxes		
	Rear axle	Oscillating and steering with hydraulic locking		
	Front axle	Steering		
	Service brake	Hydraulically operated wet multi-disk brakes on each axle		
	Parking brake	Hydraulic with negative action		
	Tyre sizes	18 R19,5 (445/65 R19,5)		
PERFORMANCE	Max. travel speed	25 km/h		
	Drawbar pull	74 kN		
	Gradeability	53%		
	Turning circle (at forks)	6,120 mm		
WEIGHTS	Total unladen	14,400 kg		
	Front axle unladen (boom retracted and lowered)	6,300 kg		
	Rear axle unladen (boom retracted and lowered)	8,100 kg		
TANK AND SYSTEM CAPACITIES	Diesel fuel tank	175 l	175 l	175 l
	AdBlue	10 l	10 l	-
	Hydraulic fluid	165 l	165 l	165 l
	Engine oil	9 l	9 l	9 l
	Cooling liquid	20 l	20 l	20 l
HYDRAULIC CIRCUIT FOR MOVEMENTS	Max. working pressure	270 bar		
	Circuit type	Gear pump		
	Service pump	Casappa - Variable displacement		
	Distributor for boom and turret movements	Danfoss - SIL 2 electro-proportional valve		
	Distributor for stabilisers	Bosch Rexroth - Electro-hydraulic actuators		
	Movements control	2 no. two-axis Danfoss joysticks with deadman safety device Managed via CAN bus		
STANDARDS MET	EN 1459-2: concerning standards for slewing variable-reach trucks EN 13000: concerning standards for hydraulic cranes EN 280: concerning standards for mobile elevating work platforms FOPS/ROPS EU 2016/1628: concerning engine emissions standards			

The data in this brochure are informative and subject to change without notice



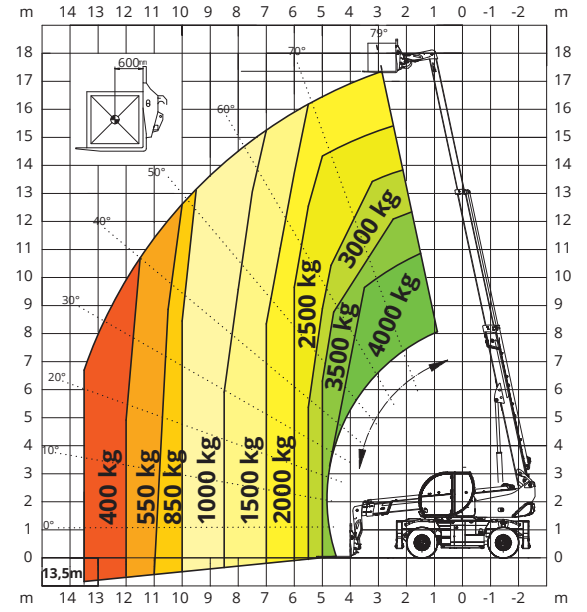
ON STABILISERS

360° LOAD CHART ON FULLY EXTENDED STABILISERS



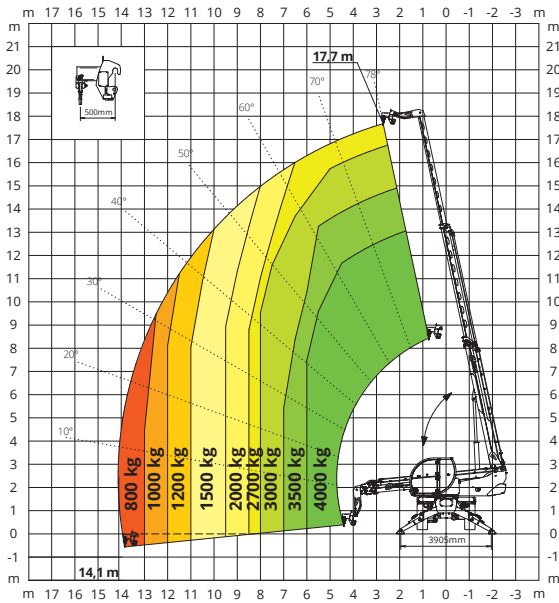
ON TYRES

FRONTAL LOAD CHART ON TYRES



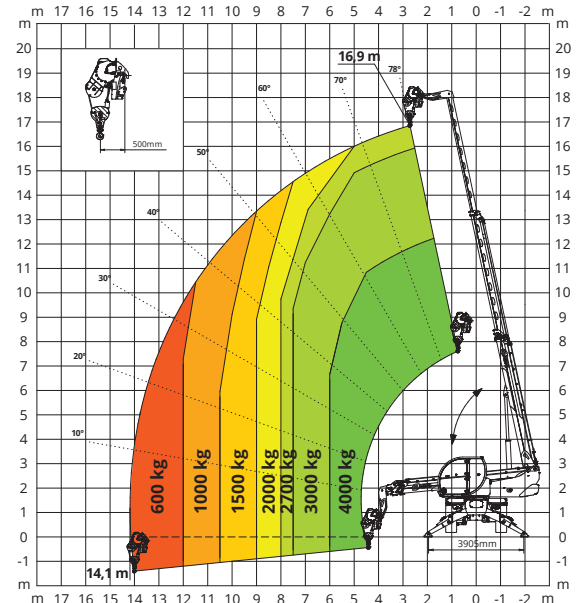
H 4

HOOK 4,000 kg



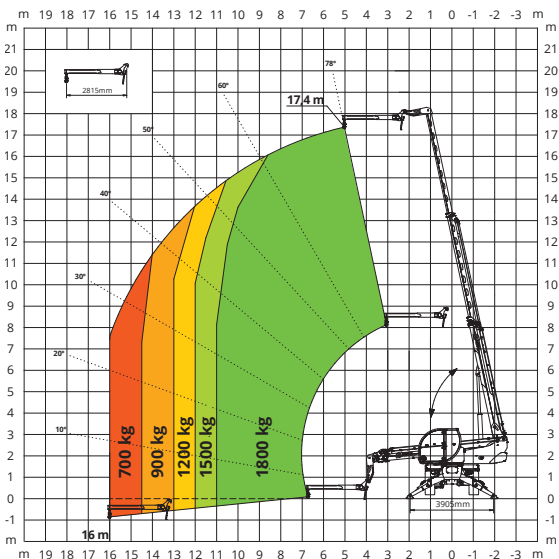
W 4

WINCH 4,000 kg



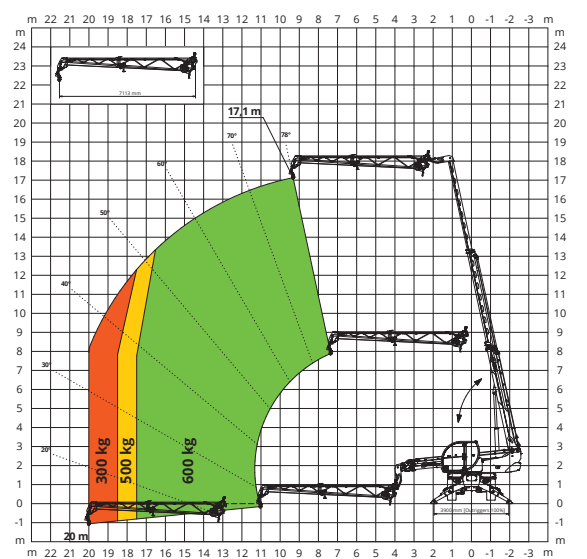
J 1800

JIB 1,800 kg



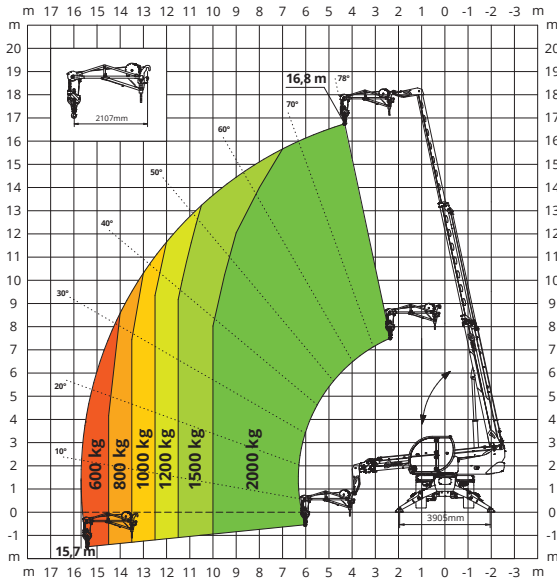
JW 600

JIB WITH WINCH 600 kg



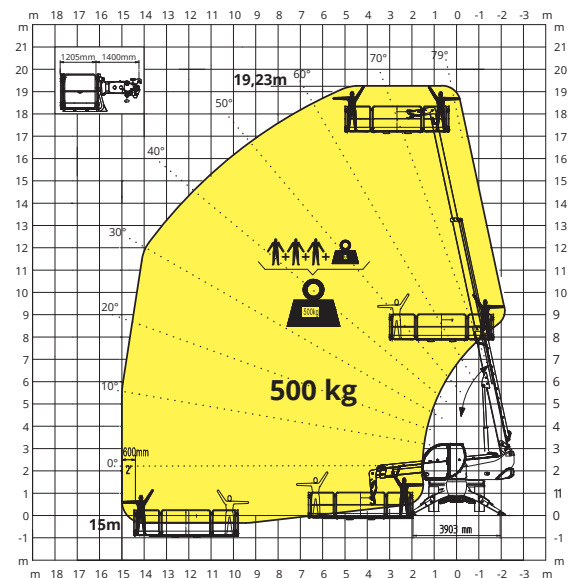
JW 2000

JIB WITH WINCH **2,000 kg**



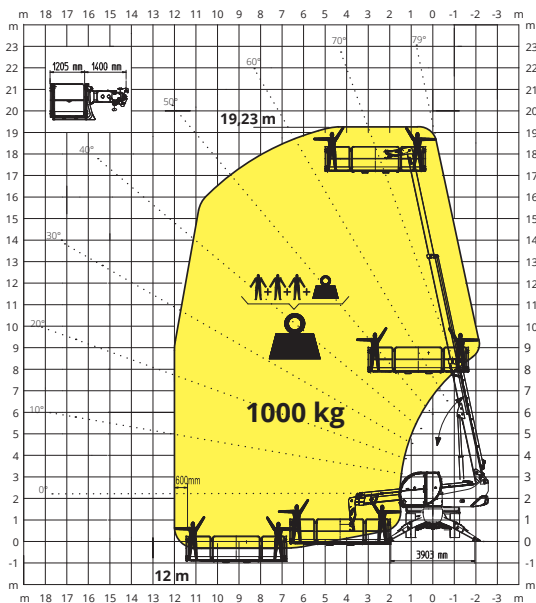
REP 2-4,5

ROTATING EXTENDABLE BASKET **500 kg**



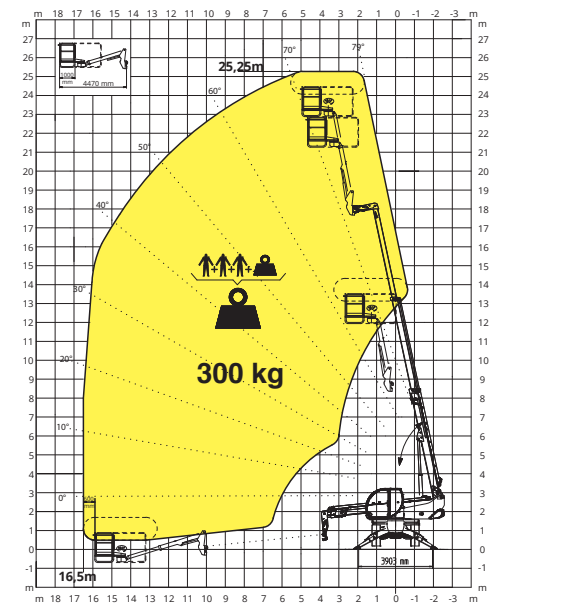
REP 10.2-4,7

ROTATING EXTENDABLE BASKET **1,000 kg**



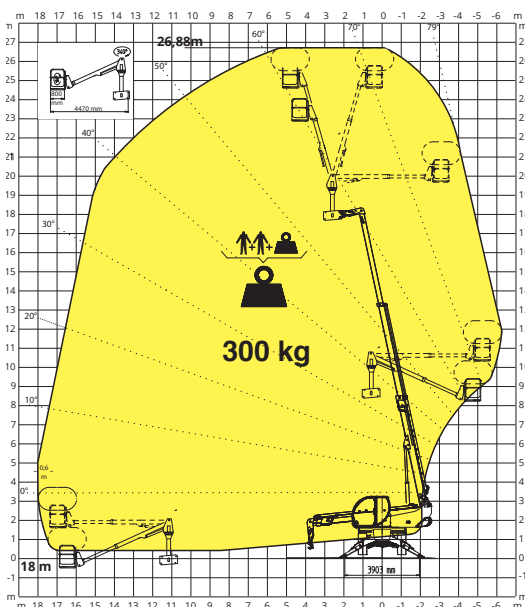
TP

TELESCOPIC PIVOTING BASKET WITH 180° ROTATION



TP O-U

TELESCOPIC PIVOTING OVER-UNDER BASKET WITH 340° ROTATION



TP O-U

TELESCOPIC PIVOTING OVER-UNDER BASKET WITH 340° ROTATION

